

## THC-080T-04100



### General Description

Carbon brush also could be called electrical brush as a rotating contact component, which is widely used in many of electrical equipment applications. As per our experience in the slip ring field, carbon brush design is still receiving high welcome from customer in different industries, so Barlin Times spent much time to develop more and more latest design to satisfy with strict requirement of each customer in related field. Through our continuous test and inspection, carbon brush type slip ring launched into market successfully and get a good quality feedback from our customers.

If you have specific customized requirement, please feel free to consult us so that our sales engineer could recommend the most suitable product to you for your reference.

### Application

1. Heavy machinery
2. Packing equipment
3. Wind turbine generator
4. Manufacturing and control machine
5. Test instrument
6. Military equipment

### Features:

1. Good commutative performance and longer life time
2. Reliable conduction and excellent lubricity
3. Big size and current could be up to 60A or higher
4. Maintenance free and low resistance
5. Power and signal data combination

### Option:

1. Materials ( Including contact or housing materials )
2. Appearance & Shape ( As per your customization )
3. Encoder and connector
4. Lead wire length and size
5. Circuits & current
6. Installation method
7. Flange and through hole

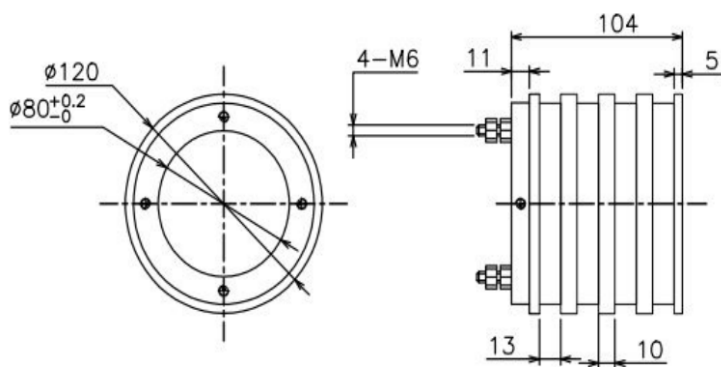
## THC-080T-04100

### Specification:

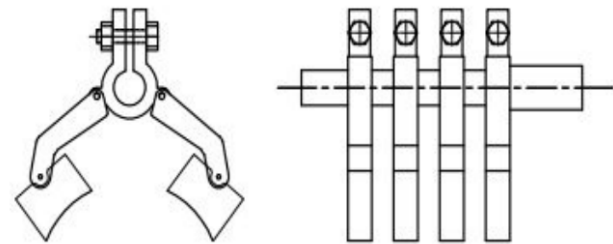
Specification	THC-080T-04100
Circuits	4 circuits
Work Speed	0-100RPM
Through Hole Size	80mm
Work Temperature	-20℃ -+60℃
Work Humidity	60%RH or higher
Voltage Rating	380VAC/DC
Current Rating	100A or higher
Dielectric Strength	500VAC@50Hz between each circuit
Insulation Resistance	500MΩ@500VDC
Electrical Noise	≤10mΩ
Contact Materials	Copper Graphite
Lead Wire Size	M6 Binding Post
Rotating Way	Flange Installation
Please contact with us if you have other special needs, our sales engineer will provide best solution to you!	

2

### Drawing:



Collector ring



Carbon brush and carbon brush holder